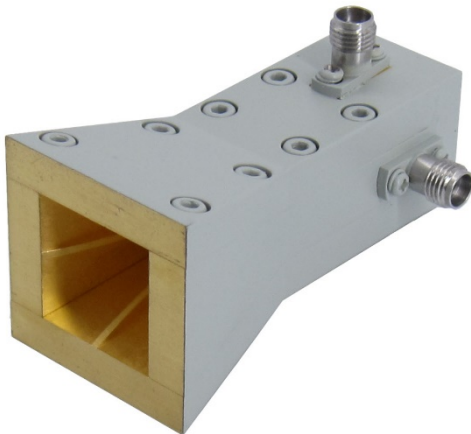




Quad Ridged Horn Antenna

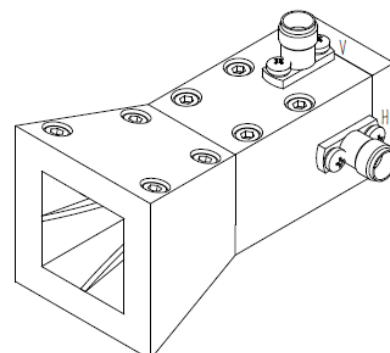
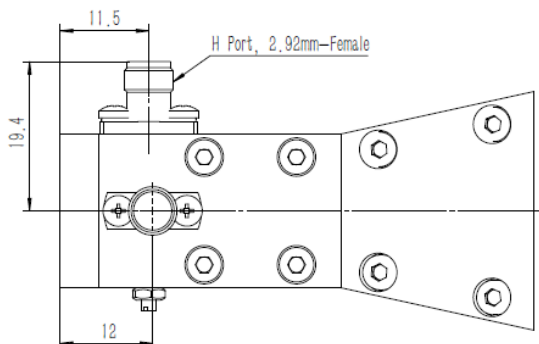
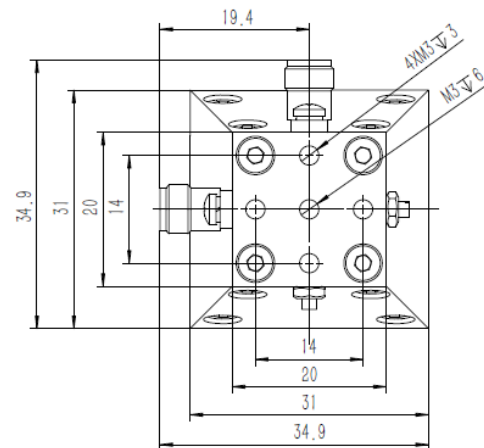
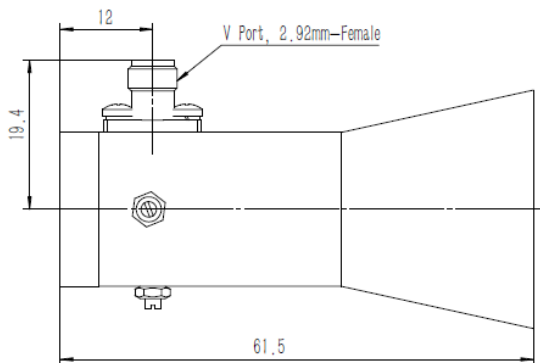
Specification

Model : MQH1840

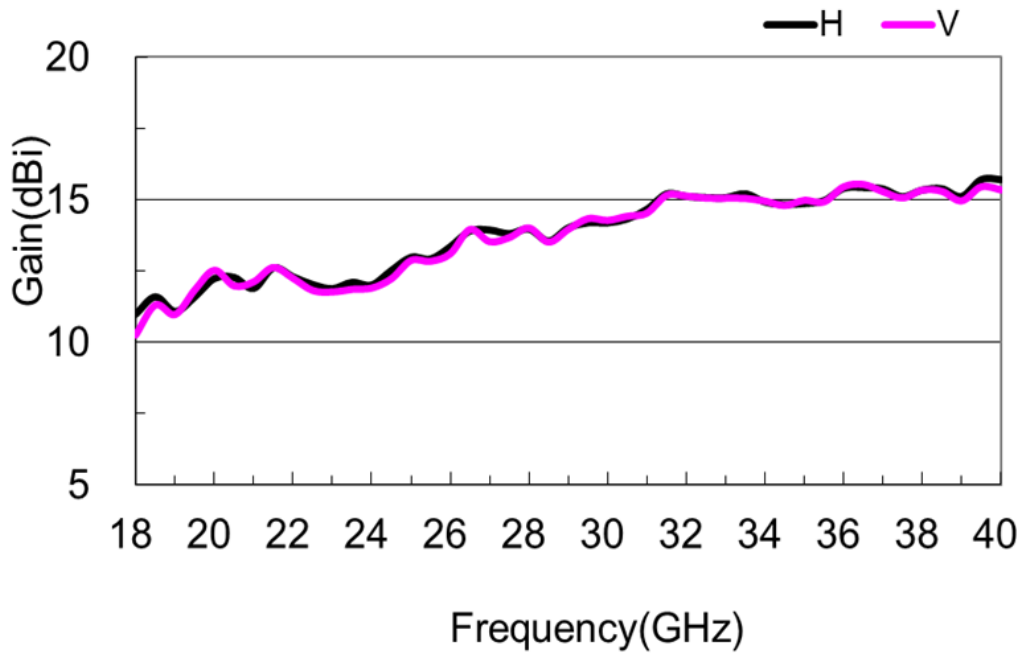


Frequency Range(GHz)	18 – 40
Gain(dB)	15 Typ.
Polarization	Dual Pol.
VSWR	3.0:1 Max.
	2.0:1 Typ.
3dB Beamwidth(deg)	55-20
Cross Pol. Isolation(dB)	20 Min.
	30 Typ.
Port to Port Isolation(dB)	20 Min.
Connector	2.92mm-F / 2.4mm-F
Power Handling(W)	10 Max. CW
Size(mm)	31x31x61.5
Net Weight(Kg)	0.25 Around

Outline Drawing (mm)



Antenna Gain (typ.)



Radiation Patterns (typ.)

